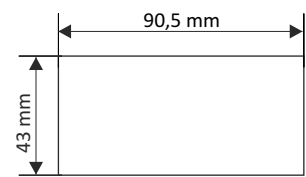
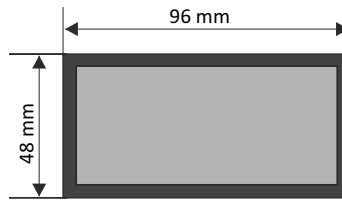
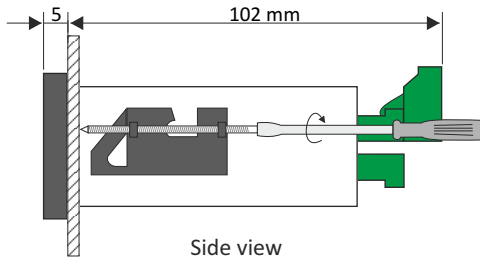
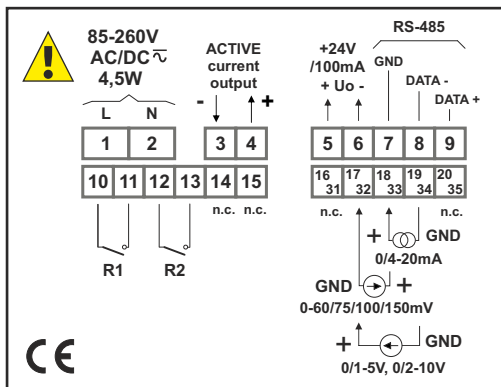


Drawings SRP-94 / SRP-946

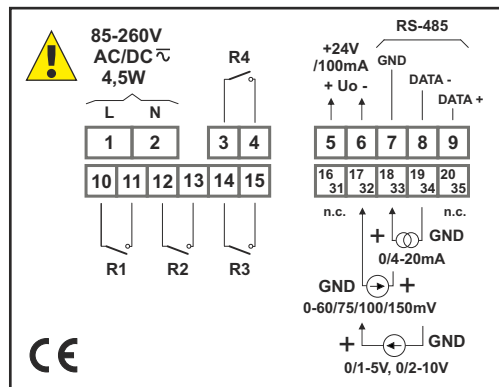
DIMENSIONS



EXAMPLARY PIN ASSIGNMENTS



version with 2 x REL and 1 x AO 0/4-20 mA, active



version with 4 x REL

