



DM 10

Battery Powered Digital Pressure Gauge

Ceramic Sensor

class 0.5

Nominal pressure

from 0 ... 1.6 bar up to 0 ... 250 bar

Special characteristics

- ▶ rotatable housing and display
- ▶ LC display
4.5-digit 7-segment display
- ▶ standard battery CR 2450
operation period > 1.800 h

Functions

- ▶ min / max function with reset function
- ▶ auto-zero
- ▶ setting of pressure unit
(bar, mbar, psi, MPa, mH₂O)
- ▶ automatic switch-off configuration

The compact low-cost digital pressure gauge DM 10 is battery-powered and has an adjustable housing; it is thus extremely suitable for mobile pressure monitoring. The 4.5-digit LC-display indicates the battery status, the measurement value as well as the unit, this enables a fast and precise reading.

It is possible to switch between the most common units (bar, psi, Pa, MPa). Additional functions as auto-zero, min / max values and an automatic switching-off complete the DM 10 profile.

Preferred areas of use are



Mobile Pressure Monitoring
Plant and Machine Engineering
Pneumatics / Hydraulics



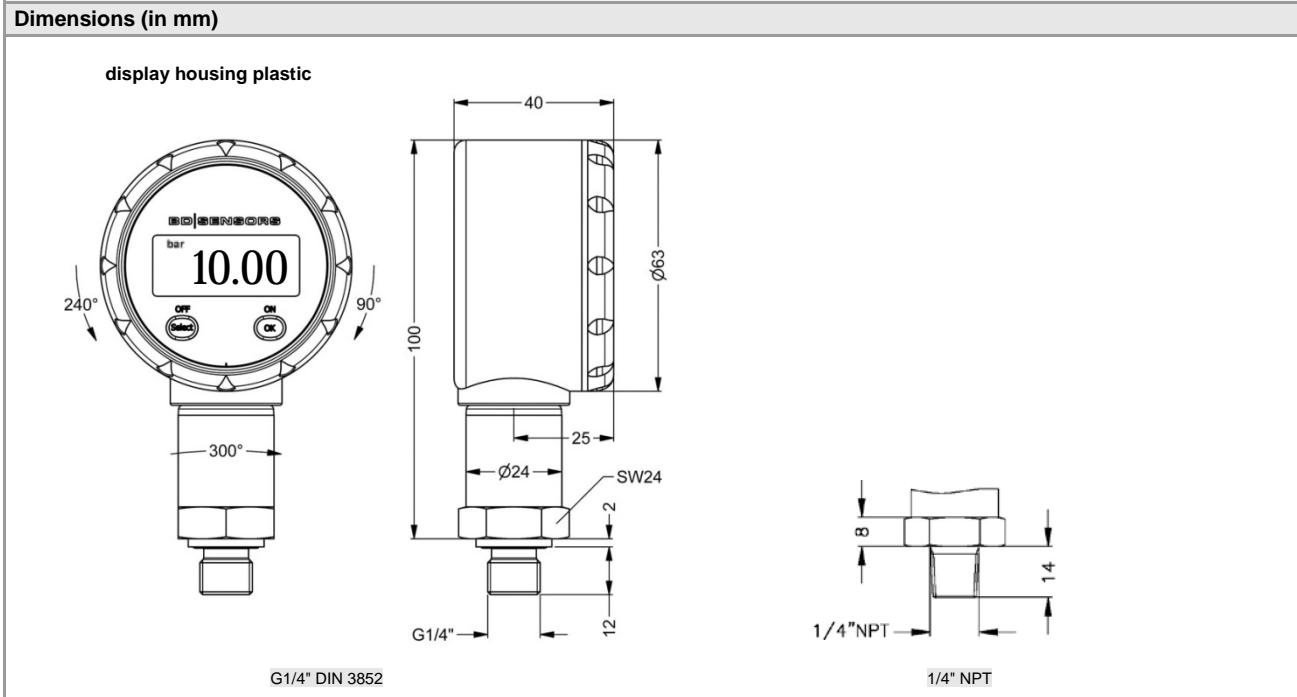
Environmental Engineering
(water – sewage – recycling)



Please visit our website: www.mctram.com

Input Pressure													
Nominal pressure gauge [bar]	1.6	2.5	4	6	10	16	25	40	60	100	160	250	
Overpressure [bar]	4	4	10	10	20	40	40	100	100	200	400	400	
Burst pressure [bar]	7	7	15	15	35	70	70	150	150	250	450	450	
Vacuum resistance	unlimited												

Performance	
Accuracy ¹	≤ ± 0.5 % FSO BFSL
Measuring rate	1/sec
Long term stability	≤ ± 0.3 % FSO / year
¹ accuracy according to IEC 60770 – minimum value setting (non-linearity, hysteresis, repeatability)	
Thermal effects (Offset and Span)	
Tolerance band	≤ ± 0.5 % FSO / 10 K (typ.) in compensated range 0 ... 50 °C
Permissible temperatures	
Permissible temperatures	medium: -25 ... 85 °C environment: 0 ... 70 °C storage: 0 ... 70 °C
Materials	
Pressure port / housing	stainless steel 1.4301 (304)
Display housing	PA 6.6, Polycarbonate
Seals (media wetted)	FKM others on request
Diaphragm	ceramics Al ₂ O ₃ 96 %
Media wetted parts	pressure port, seals, diaphragm
Miscellaneous	
Display	LC-Display, visible range 36 x 15 mm; 4.5-digit 7-segment-display, digit size 8.5 mm, range of indication ±1999
Electromagnetic compatibility	emission and immunity according to EN 61326
Supply	3 V lithium battery (CR 2450)
Data storage	EEPROM (non-volatile)
Ingress protection	IP 65
Installation position	any
Weight	plastic: approx. 150 g
Operational life of battery	min. 1500 h with permanent operation
Mech. operational life	> 100 x 10 ⁶ pressure cycles
CE-conformity	EMC directive 2004/108/EC pressure equipment directive: 97/23/EC (Modul A) ²
² This directive is only valid for devices with maximum permissible overpressure > 200 bar.	



Please visit our website: www.mctram.com

Ordering code DM 10

DM 10

--	--	--	--	--	--	--	--	--	--	--	--	--	--	--	--	--	--	--	--	--	--	--	--

Pressure	
gauge	M 0 4
Input [bar]	
1.6	1 6 0 1
2.5	2 5 0 1
4.0	4 0 0 1
6.0	6 0 0 1
10	1 0 0 2
16	1 6 0 2
25	2 5 0 2
40	4 0 0 2
60	6 0 0 2
100	1 0 0 3
160	1 6 0 3
250	2 5 0 3
customer	9 9 9 9
Accuracy [BFSL]	
0.5 %	B 8
customer	9 9
Mechanical connection	
G1/4" DIN 3852	3 0 0
1/4" NPT	N 4 0
customer	9 9 9
Seals	
FKM	1
customer	9
Pressure port	
Stainless steel 1.4301 (304)	2
customer	9
Diaphragm	
Ceramics Al ₂ O ₃ 96%	2
customer	9
Front foil	
standard	1
neutral	N
customer	9
Special version	
standard	0 0 0
customer	9 9 9

Please visit our website: www.mctram.com

2 West Main St, Victor NY 14564 Phone: 585-461-2110